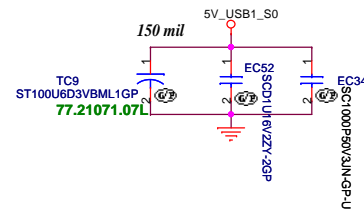
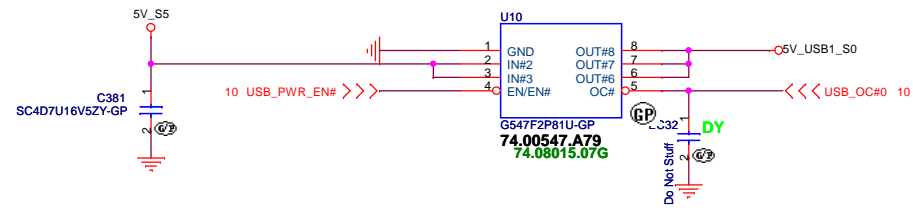
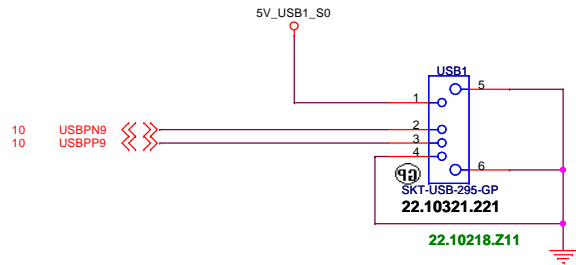
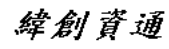


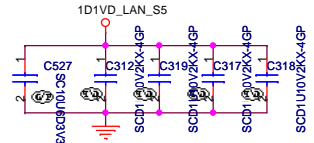
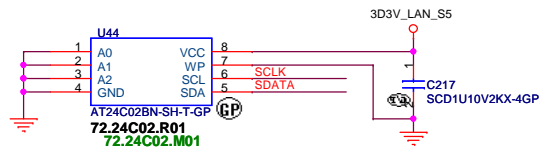
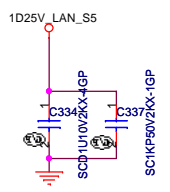
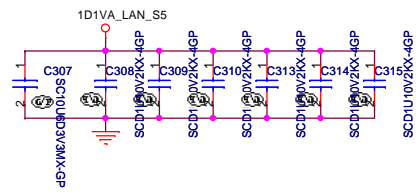
mini BD

		<b>Wistron Corporation</b> 21F, 88, Sec.1, Hsin Tai Wu Rd., Hsichih, Taipei Hsien 221, Taiwan, R.O.C.	
Title			
<b>ODD EJT BTN</b>			
Size	Document Number		Rev
	<b>JM41 MINI BD</b>		<b>-2</b>
Date: Friday, April 10, 2009		Sheet 1 of 11	



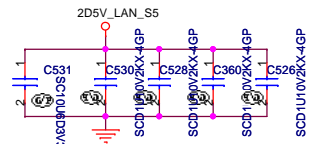
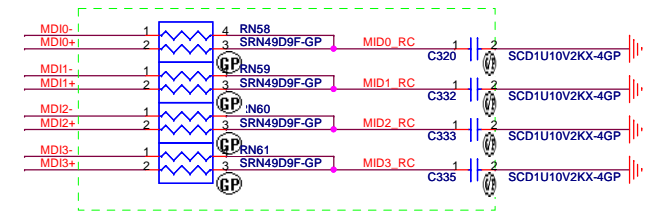
mini BD

 <b>Wistron Corporation</b> 21F, 88, Sec.1, Hsin Tai Wu Rd., Hsichih, Taipei Hsien 221, Taiwan, R.O.C.	
<b>USB CONN</b>	
<b>JM41 MINI BD</b>	
Date: Friday, April 10, 2009	Rev -2
Sheet 2 of 11	

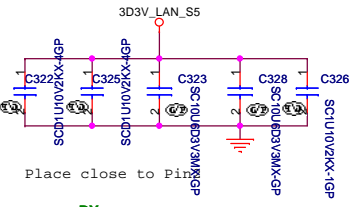
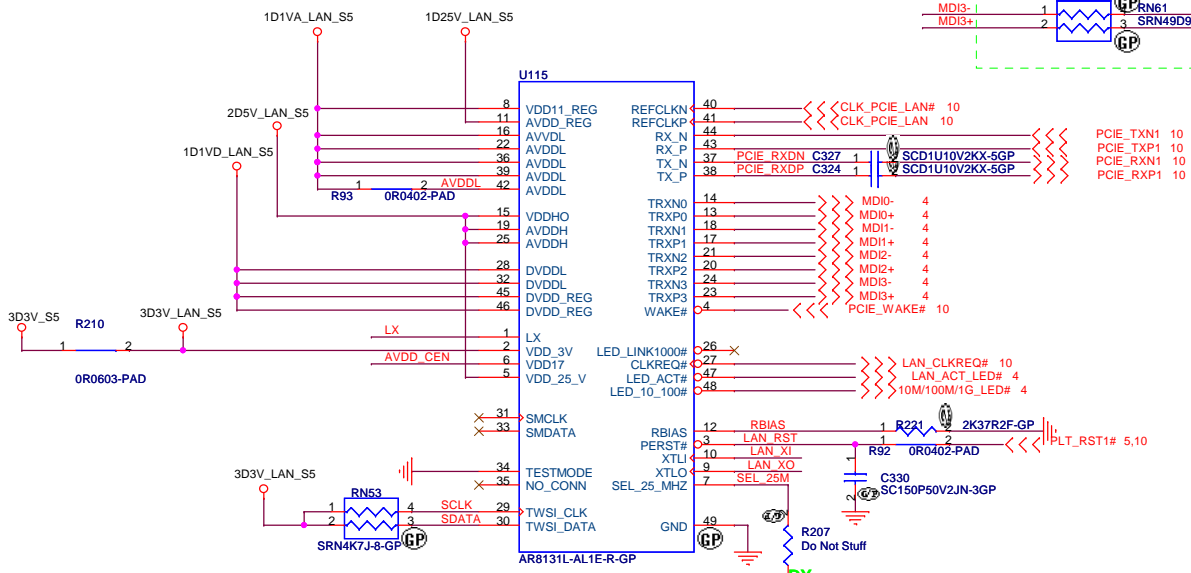


DY

Close to LAN\_AR8131

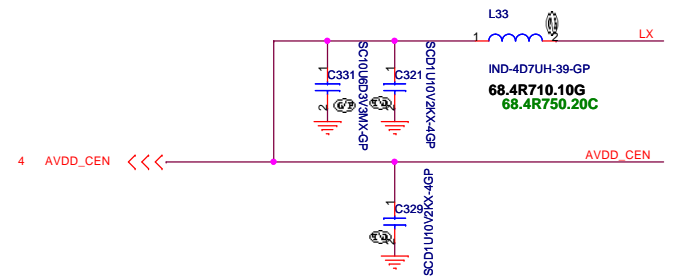
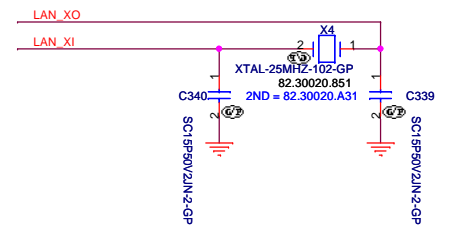


DY

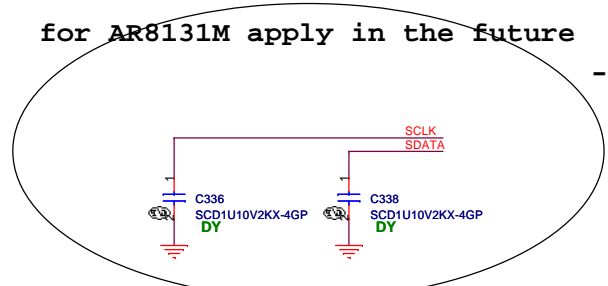


DY

Place close to Pin



for AR8131M apply in the future



-1

mini BD

**緯創資通 Wistron Corporation**  
21F, 88, Sec.1, Hsin Tai Wu Rd., Hsichih, Taipei Hsien 221, Taiwan, R.O.C.

Title: **AR8131**

Size	Document Number	Rev
	<b>JM41 MINI BD</b>	-2

Date: Tuesday, April 14, 2009 Sheet 3 of 11

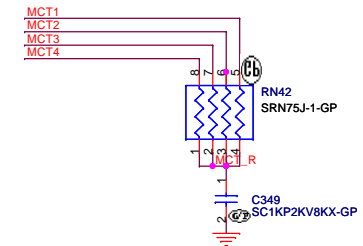
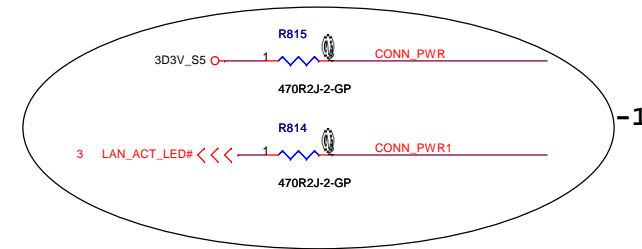
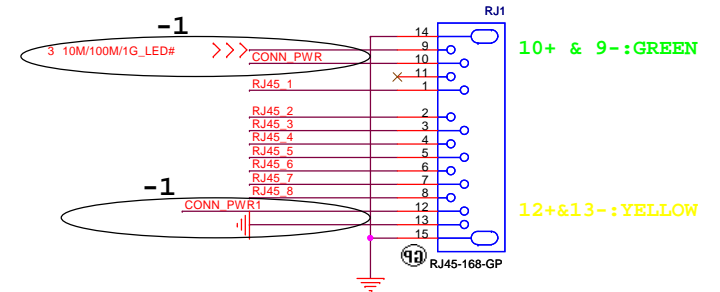
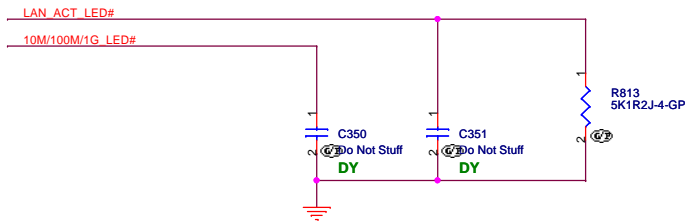
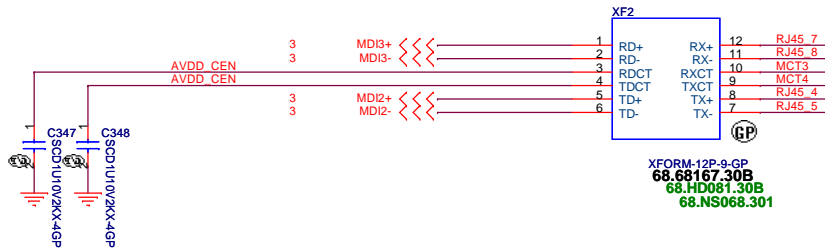
1. route on bottom as differential pairs.
2. Tx+/Tx- are pairs. Rx+/Rx- are pairs.
3. No vias, No 90 degree bends.
4. pairs must be equal lengths.
5. 6mil trace width, 12mil separation.
6. 36mil between pairs and any other trace.
7. Must not cross ground moat, except RJ-45 moat.

# LAN Transformer

# LAN Connector

AVDD\_CEN 3

## GIGA Lan Transformer

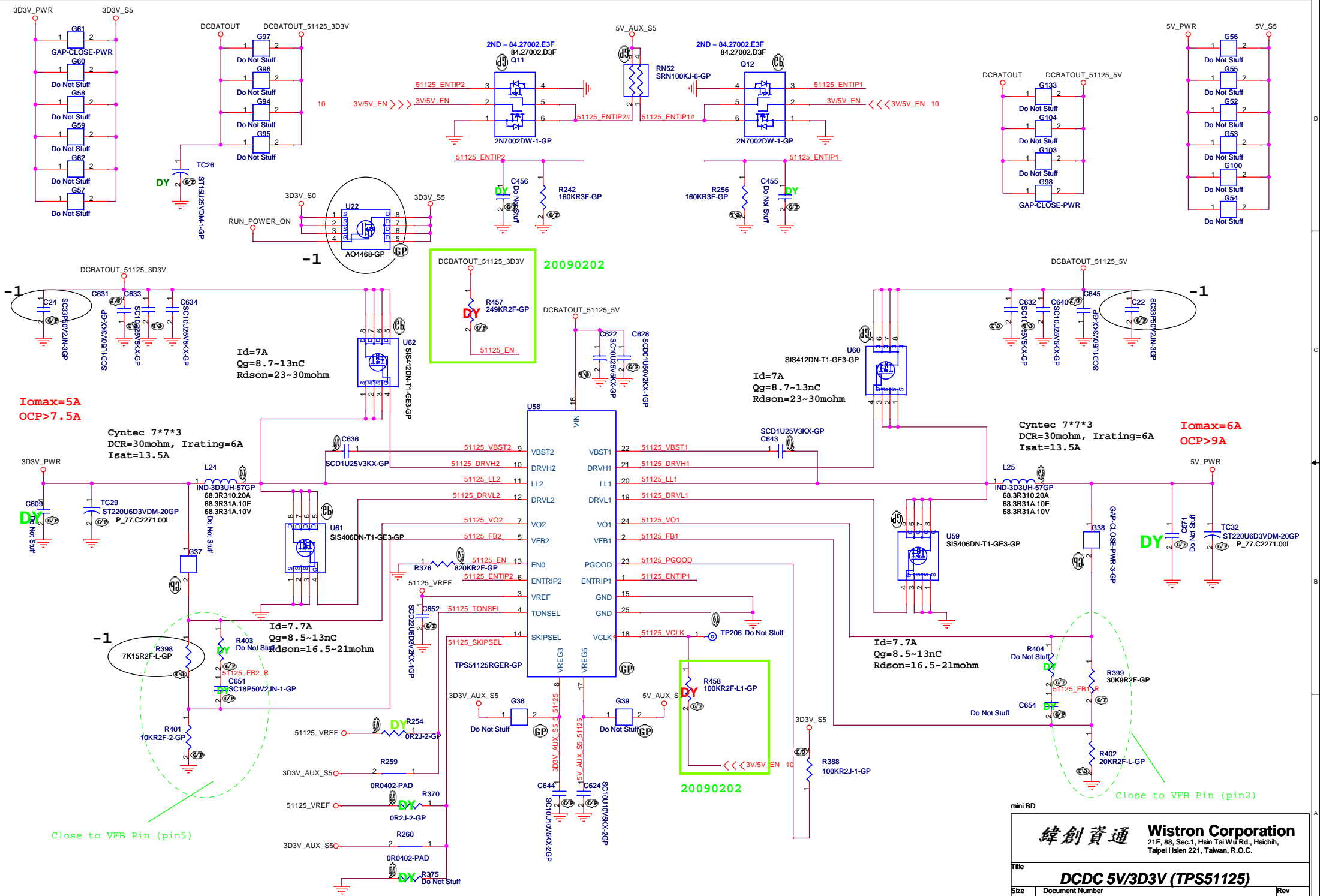


mini BD

<b>Wistron Corporation</b> 21F, 88, Sec.1, Hsin Tai Wu Rd., Hsichih, Taipei Hsien 221, Taiwan, R.O.C.	
Title: <b>LAN CONN</b>	
Size:	Document Number: <b>JM41 MINI BD</b>
Date: Tuesday, April 07, 2009	Rev: <b>-2</b>
Sheet: 4	of: 11





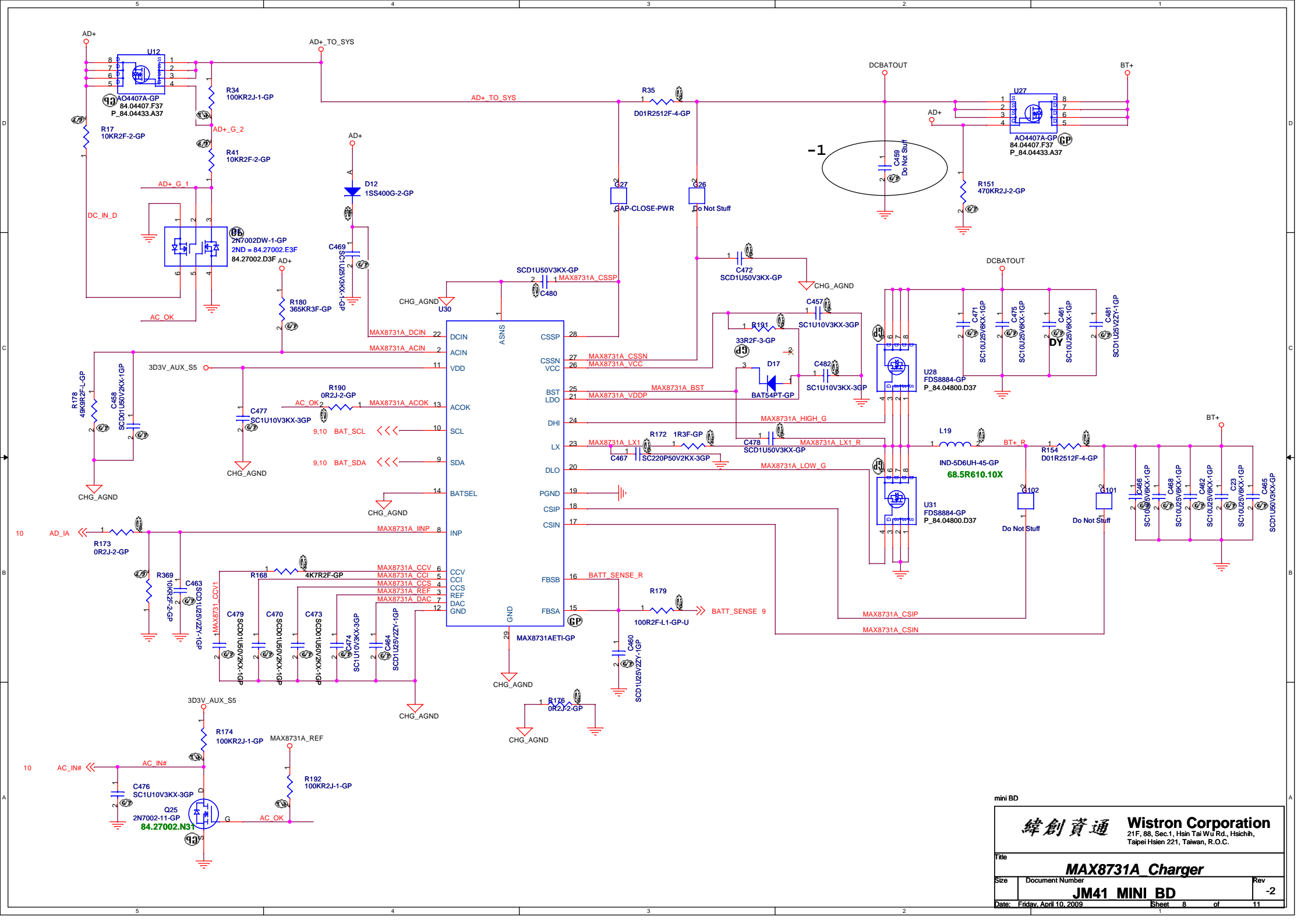


**I<sub>o</sub>max=5A**  
**OCP>7.5A**

**I<sub>o</sub>max=6A**  
**OCP>9A**

緯創資通 **Wistron Corporation**  
21F, 88, Sec.1, Hsin Tai Wu Rd., Hsichih,  
Taipei Hsien 221, Taiwan, R.O.C.

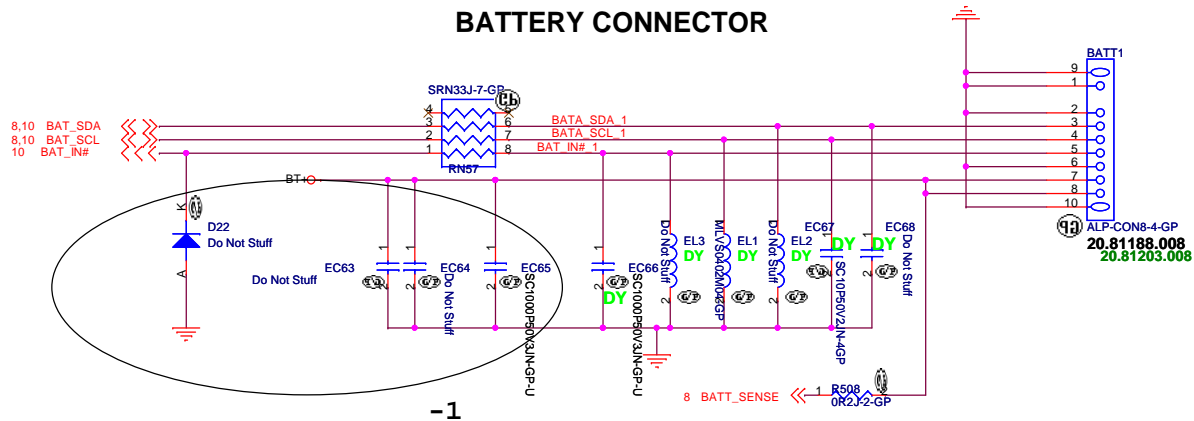
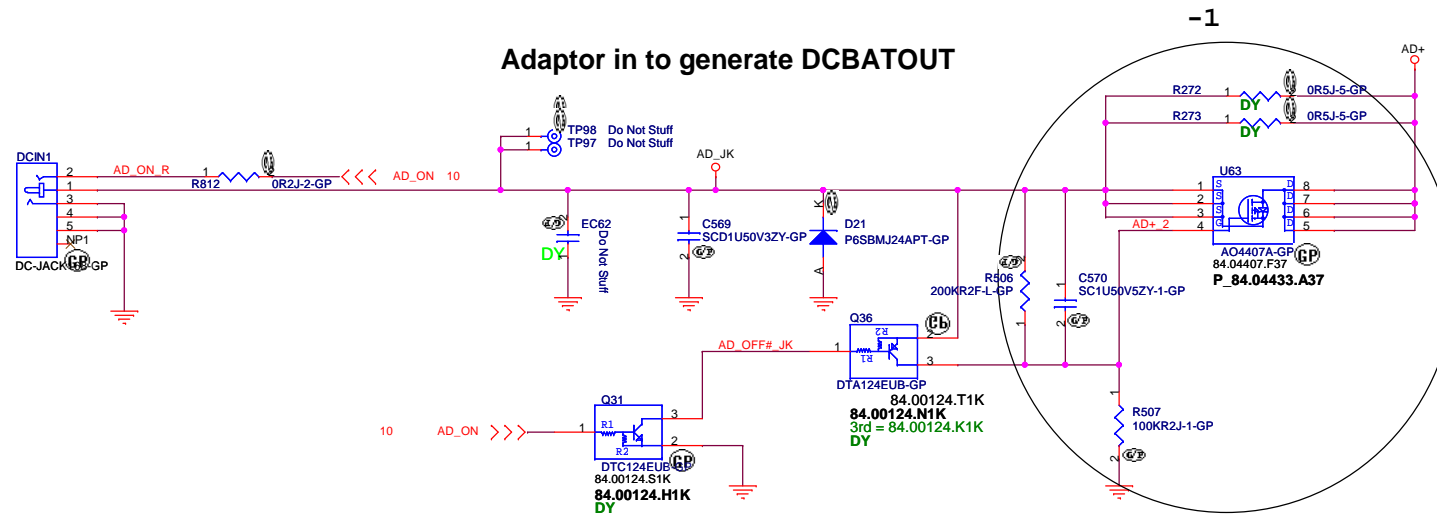
Title		
<b>DCDC 5V/3D3V (TPS51125)</b>		
Size	Document Number	Rev
	<b>JM41 MINI BD</b>	-2
Date: Monday, April 13, 2009	Sheet 7 of 11	

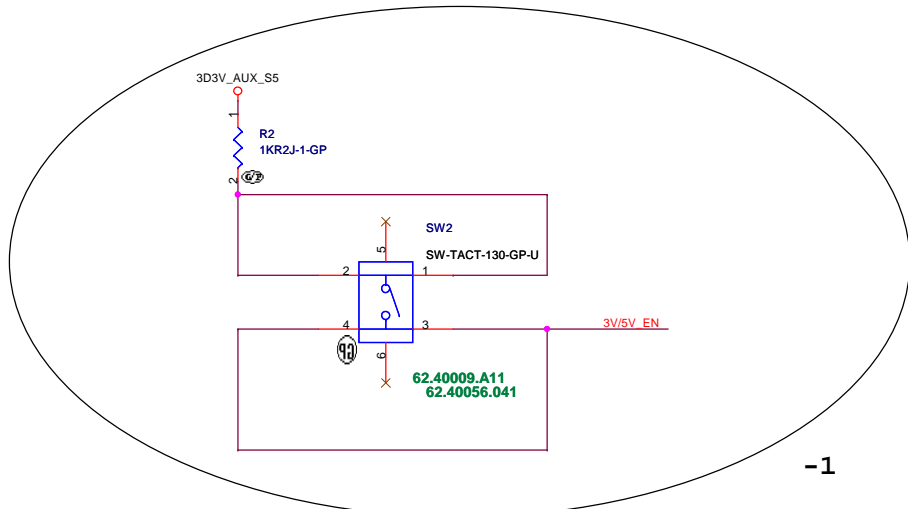
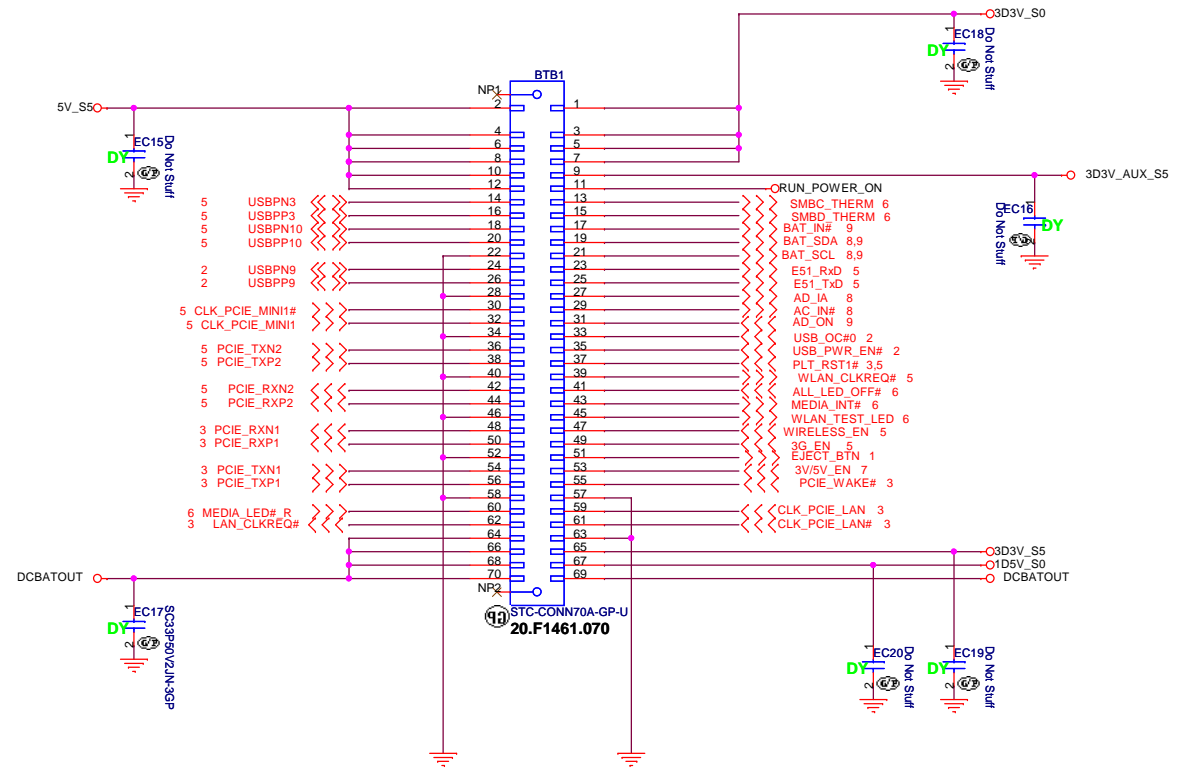


mini BD

<b>緯創資通 Wistron Corporation</b>	
21F, 88, Sec.1, Hsin Tai Wu Rd., Hsichih, Taipei Hsien 221, Taiwan, R.O.C.	
<b>MAX8731A Charger</b>	
<b>JM41 MINI BD</b>	
Date: Friday, April 10, 2009	Sheet 8 of 11







-1

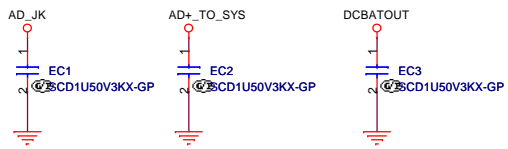
mini BD

**緯創資通 Wistron Corporation**  
 21F, 88, Sec.1, Hsin Tai Wu Rd., Hsichih,  
 Taipei Hsien 221, Taiwan, R.O.C.

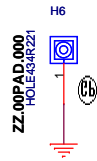
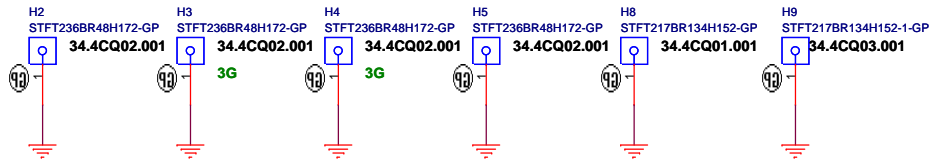
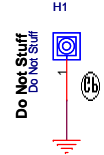
Title: **MINI BD CONN**

Size	Document Number	Rev
	<b>JM41 MINI BD</b>	-2

Date: Friday, April 10, 2009 Sheet 10 of 11



ZZ.00PAD.G11



mini BD

		<b>Wistron Corporation</b> 21F, 88, Sec.1, Hsin Tai Wu Rd., Hsichih, Taipei Hsien 221, Taiwan, R.O.C.	
Title			
<b>EMI/Spring/Boss</b>			
Size	Document Number	Rev	
	<b>JM41 MINI BD</b>	-2	
Date: Friday, April 03, 2009		Sheet 11	of 11